
Two 3D wireframe diagrams of filter cartridges. The one on the left is a long, narrow rectangular block with a grid pattern on its top surface. The one on the right is a shorter, wider rectangular block, also with a grid pattern on its top surface. The text 'Long Life Filter Cartridges' is overlaid in the center of the image.

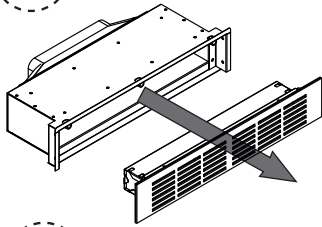
# Long Life Filter Cartridges

---

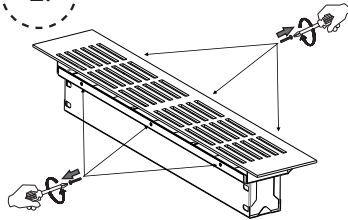
QUICK GUIDE  
Vejledning ■ Anvisning ■ Ohjeet  
Instrucciones ■ Instructions 

INSTALLATION

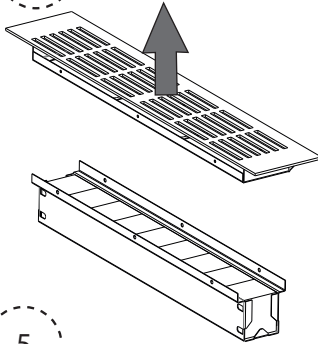
1.



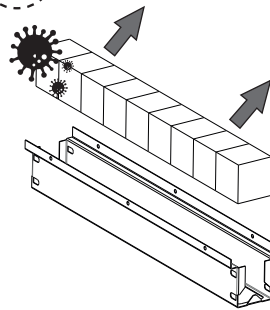
2.



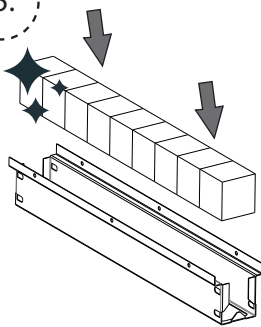
3.



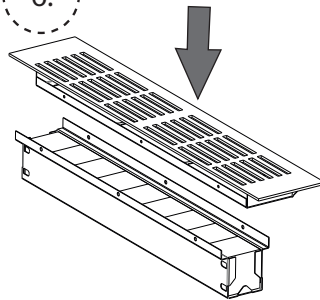
4.



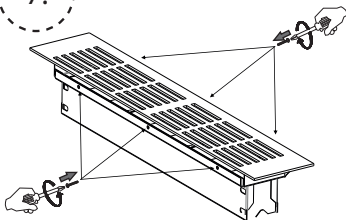
5.



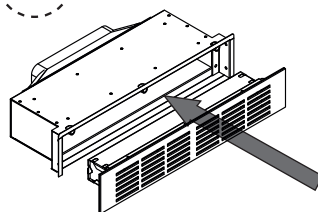
6.



7.

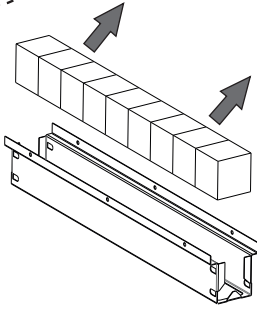


8.

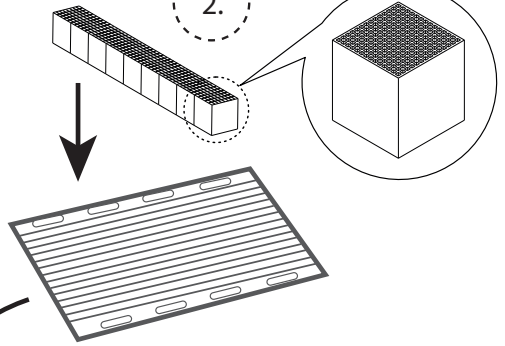




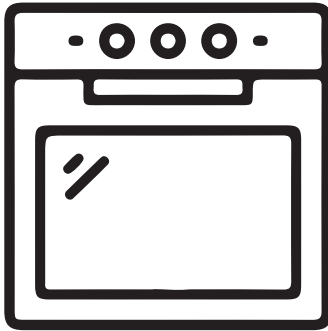
1.



2.



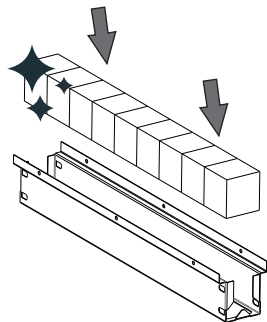
3.



200°

30-120 min.

4.





### **THERMEX SCANDINAVIA A/S**

Farøvej 30 ■ 9800 Hjørring ■ Danmark  
Tlf. +45 98 92 62 33  
[www.thermex.dk](http://www.thermex.dk)  
[service@thermex.dk](mailto:service@thermex.dk)

### **THERMEX SCANDINAVIA AS**

Tel. +47 22 21 90 20  
[www.thermex.no](http://www.thermex.no)  
[service@thermex.no](mailto:service@thermex.no)

### **THERMEX SCANDINAVIA AB**

Importgatan 12 A ■ 442 46 Hisings Backa ■ Sverige  
Tel. +46 031 340 82 00  
[www.thermex.se](http://www.thermex.se)  
[info@thermex.se](mailto:info@thermex.se)

### **THERMEX SCANDINAVIA S.L.U.**

Noi del Sucre 42 ■ 08840 Viladecans ■ España  
Tel. +34 936 373 003  
[www.thermex.es](http://www.thermex.es)  
[info@thermex.es](mailto:info@thermex.es)

### **THERMEX SCANDINAVIA A/S**

Puhelin +358 942 454 000  
[www.thermex.fi](http://www.thermex.fi)  
[info@thermex.fi](mailto:info@thermex.fi)

### **THERMEX SCANDINAVIA A/S**

Tel. +31 208088777  
[www.thermexscandinavia.nl](http://www.thermexscandinavia.nl)  
[info@thermex.eu](mailto:info@thermex.eu)

